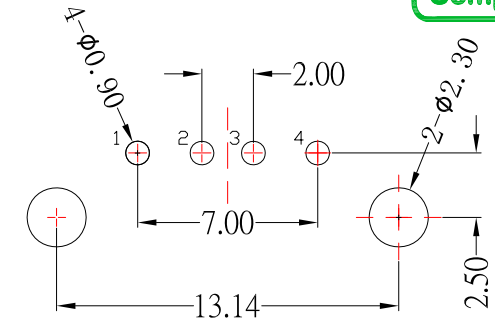
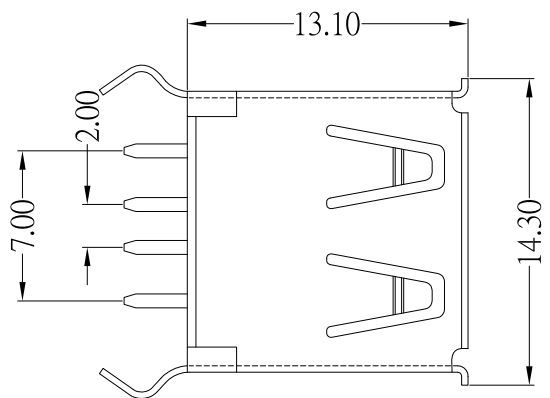


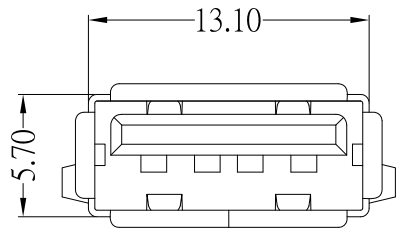
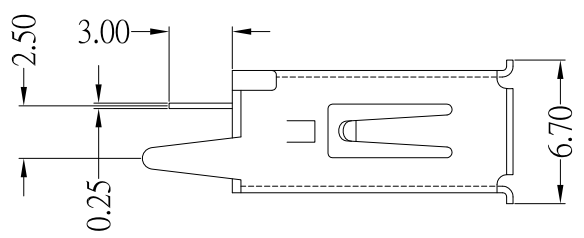


SUA-110V2x-x-S236

SHELL : _____ Color :
 Blank : Copper Alloy Black : B
 I : SPCC White : W



P.C.B LAYOUT MOUNTING PATTERN



SPECIFICATIONS

Electrical:

- 1.Current Rating: 1.5A
- 2.Voltage Rating: 30 VDC
- 3.Contact Resistance: 30 mΩ Max
- 4.Dielectric Withstanding Voltage: 500 V AC For 1 min
- 5.Insulation Resistance: 1,000 MΩ Min

Mechanical:

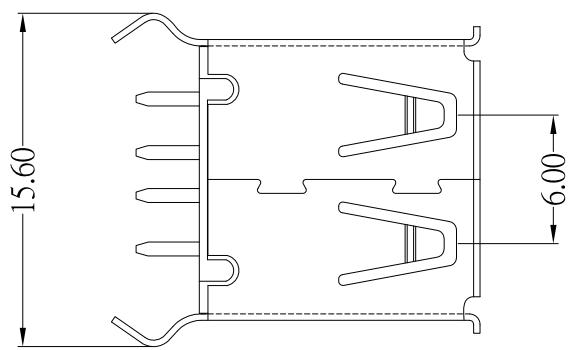
- 1.Connector Mate and Unmate Force
 - 1.1 Mate force: 3.57 kgf (Max)
 - 1.2 Unmate force: 1.02 kgf (Min)

Material:

- 1.Housing: PBT
- 2.Contact: Copper Alloy
- 3.Shell: Copper Alloy / Spcc

Finish:

- 1.Contact: Plated Gold in Mating Area ;
Tin Plated on Solder Balls
Nickel under plated overall
- 2.Shell: Nickel under Plated surface layer



TOLERANCE UNLESS OTHERWISE STATED:
 Up to 5 ±0.2
 Above 5 ~ 15 ±0.3
 Above 15 ~ 30 ±0.4
 Above 30 ~ 50 ±0.5
 Angle ±0.3°

3RD. ANGEL'S



UNITS

MM

DRAWN BY: Jack Lu DATE: 09/09/20
 CHECKED BY: Jacky Chen DATE: 09/09/20
 APPROVED BY: Tony Kao DATE: 09/09/20

MATL		TITLE	CONNECTOR
FINISH		MODLE	USB AF 直立式 L13.1 捲邊, 彎腳
SCALE	1 : 1	DWG NO.	SUA-110V2x-x-S236
SHEET NO.	1 of 1	PART NO.	SUA-110V2x-x-S236
		SIZE	A4
		VER	R

ITEM NO.	DESCRIPTION	DRAWN	DATE